

Shower trap body ORIO, DN 50

Conforming to DIN EN 274

with build-in height only 85 mm, for shower trays with a 90 mm outlet

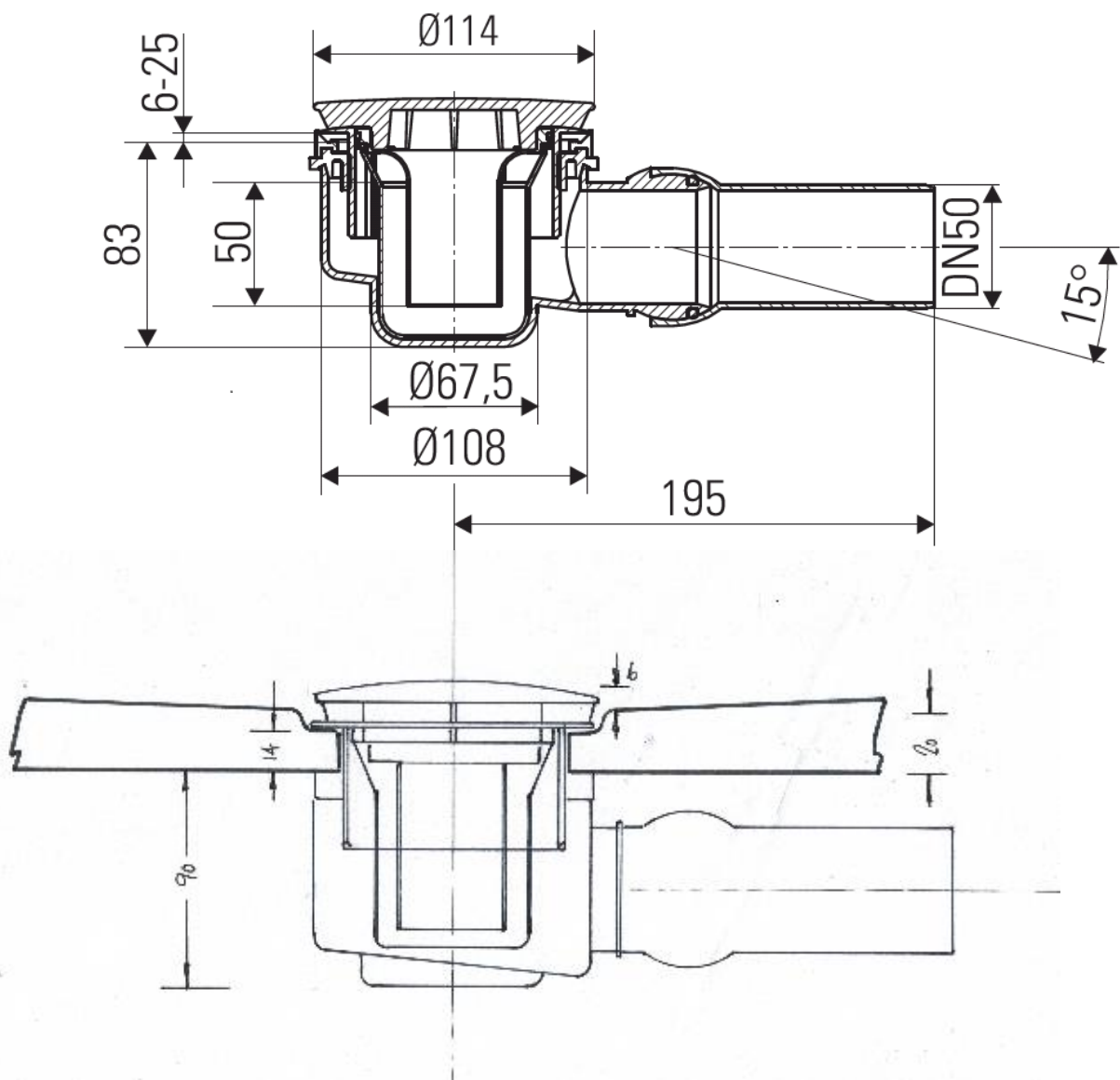
Specification:

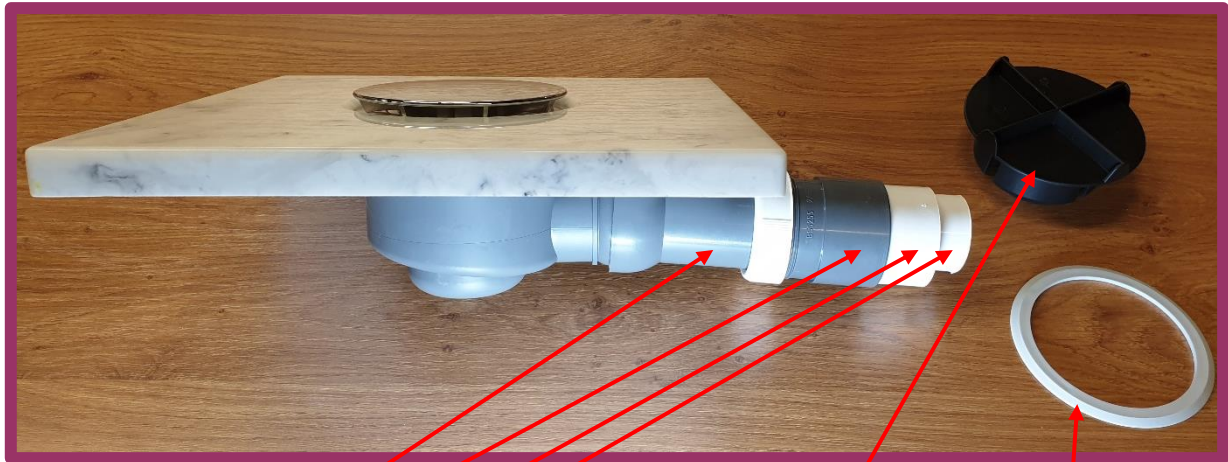
- outlet DN 50 horizontal, with ball-joint, adjustable 0 – 15 degrees
- trap insert, removable for cleaning
- temporary blanking plate/installation key

Material:

polypropylene

The outlet connector can be supplied in ABS to suit British Standard sizes and PE-HD conforming to DIN EN 1519. Please enquire.





- Euro 50mm
- UK 2"
- UK 1½"
- UK 1¼"

Fitting Tool

Adapter for Different profile trays (Not used for Versital Trays)

Universal Adapter Waste Pipe Dimensions

Euro (O.D)
50mm

UK Imperial (O.D)	UK Metric (I.D)
2"	50mm
1 ½"	40mm
1 ¼"	32mm



Waste cap top sits 6mm above tray floor